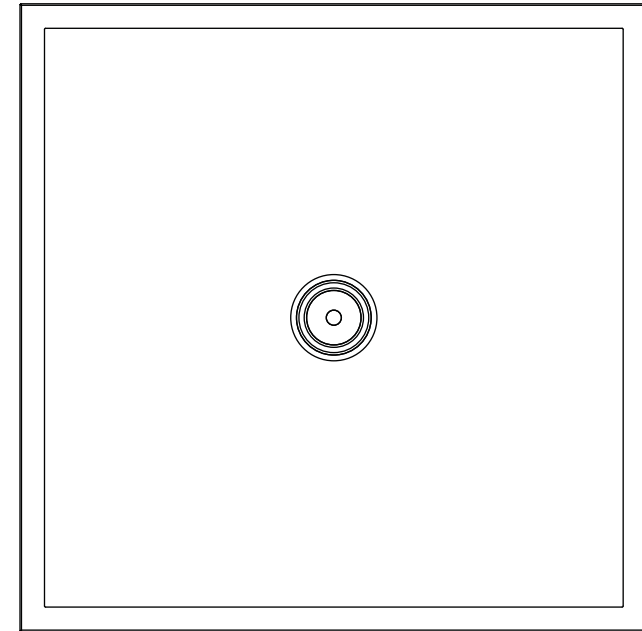




THORN



CKIT + PIR G3

CE

[CZ] Montážní návod
[DE] Montageanleitung
[DK] Monteringsvejledning
[EE] Paigaldusjuhend
[FI] Asennusohje
[FR] Notice de montage
[HU] Szerelési útmutató
[IT] Istruzioni di montaggio

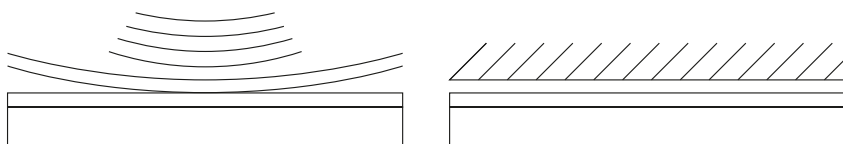
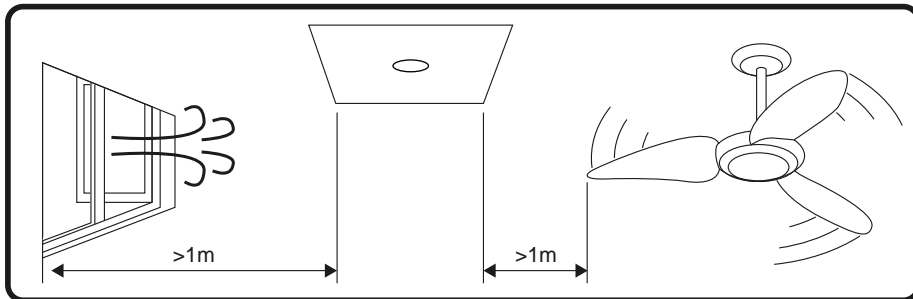
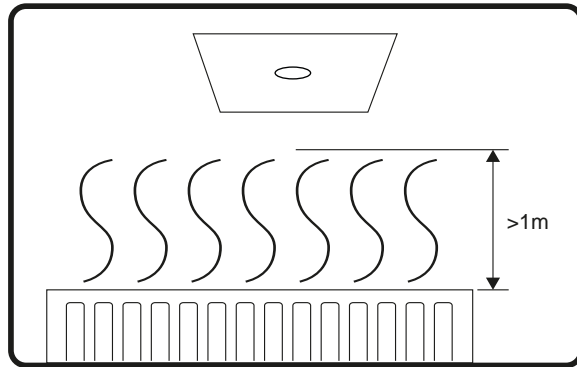
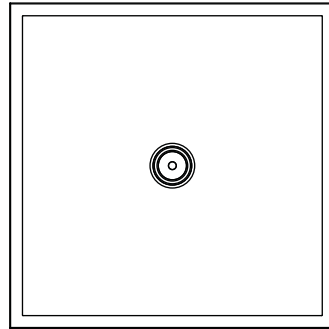
[LT] Montavimo Instrukcijos
[LV] Instalācijas instrukcija
[NO] Monteringsanvisning
[PL] Instrukcja montażu
[RU] Инструкция по монтажу
[SE] Installationsanvisning
[UK] Installation Instructions

CKIT + PIR

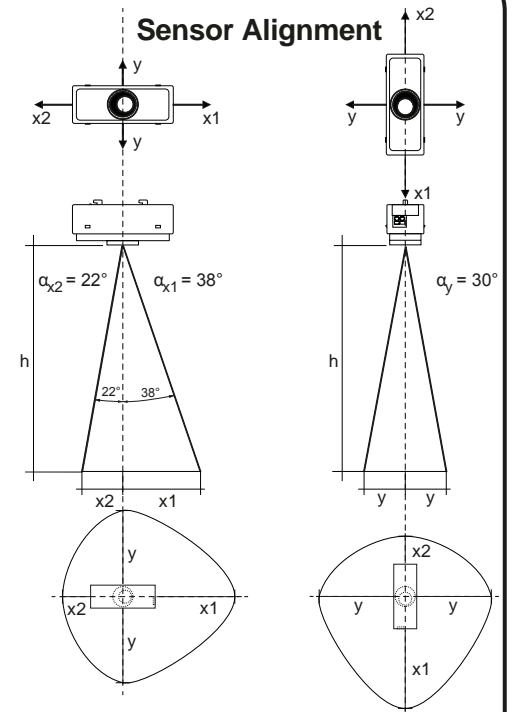
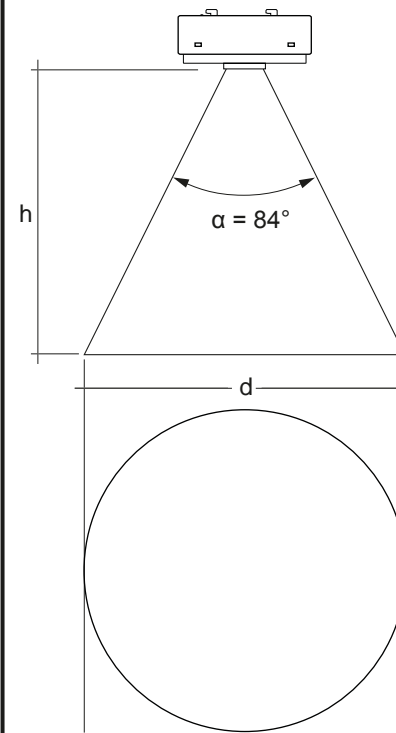
Product description

- Monitoring of ambient light and motion detection
- DALI-2 Sensor that requires the use of an application controller e.g. BC, BM, SceneCOM etc.

https://www.tridonic.com/com/de/download/technical/Application_controllers_MSensor_G3.pdf

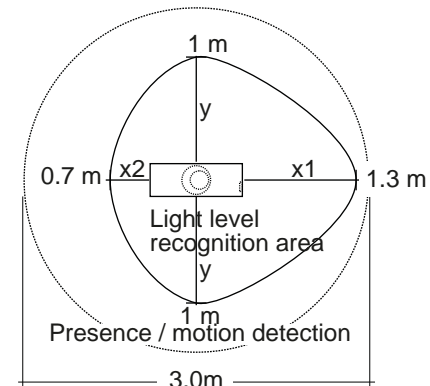


Presence / motion detection



h *	x1	x2	y	d
1.7 m	1.3 m	0.7 m	1.0 m	3.0 m
2.0 m	1.6 m	0.8 m	1.2 m	3.6 m
2.3 m	1.8 m	0.9 m	1.3 m	4.1 m
2.5 m	2.0 m	1.0 m	1.4 m	4.5 m
2.7 m	2.1 m	1.1 m	1.6 m	4.9 m
3.0 m	2.3 m	1.2 m	1.7 m	5.4 m
3.5 m	2.7 m	1.4 m	2.0 m	6.3 m
4.0 m	3.1 m	1.6 m	2.3 m	7.2 m

Example for light and motion detection area at height of 1.7 m:



* The recommended maximum room height for office applications is 3 m and for corridor applications for example 4 m. Up to 2 m mounting height presence is detected and over 2 m motion is detected.

Calculation of the diameter (light area):

$$x1 = \tan(\alpha_{x1}) \times h$$

$$x2 = \tan(\alpha_{x2}) \times h$$

$$y = \tan(\alpha_y) \times h$$

Calculation of the diameter (motion area):

$$d = 2 \times \tan(0,5 \times \alpha) \times h$$